

### Features:

- Economical
- +5 dBm Typical Output Power
- Low Power consumption
- 8 $\mu$ S Sweep with related band
- Small and Compact

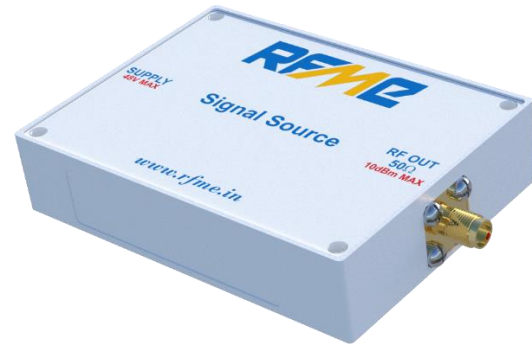
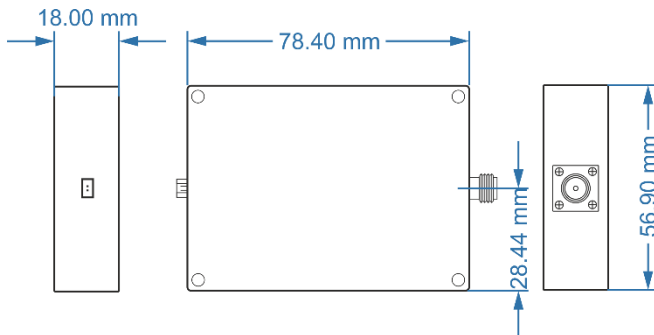
### Description:

The RFTxSWV437-447-CD is a Sweeper, which operates in a Frequency Band of 430MHz to 440MHz. Output Power is +4 to +5 dBm Maximum (referenced to 50  $\Omega$ ). This are used in various RF Testing Setup. Stability over temperature is  $\pm 0.5$ dB.

### Applications:

- Scientific equipment testing & manufacturing
- Signal Blocking
- EMC Test laboratories
- Antenna development, testing & calibrate Testing of shielding effectiveness
- equipment calibration
- Signal Jamming System

### Mechanical Dimension:



### Electrical Specifications:

Frequency Band:	430 MHz - 440 MHz
Center Frequency	435 MHz
Output Power	+1 to +3 dBm Max.
Sweep Time:	8 $\mu$ s
Input Power Supply:	+9 to +48 VDC / 0.5A Max.
Power Connector:	JST-XHP-2 (M)
Operating Temperature:	-20 $^{\circ}$ C to +75 $^{\circ}$ C
Output Port:	SMA Female
Power Used:	1W (max)

### Mechanical Specifications:

Dimensions	78.4 mm X 56.9 mm X 18 mm (Excluding Connectors)
Shape:	Rectangle
Weight:	140 gm $\pm$ 10 gm

### Test Result:

