

RF Mixer RFMXF248-708

Features:

- Wide bandwidth
- Low Conversion loss
- Good IF bandwidth
- Economical
- Small & Rigid design

Description:

The RFMXF248-708 is a general purpose passive mixer. Operating over the RF bandwidth of 2.4GHz to 7 GHz. The RFMXF mixer has very low conversion loss & high isolation to both RF & IF ports.

Applications:

- Satellite up & down converters
- Defense radar & communications
- Line of sight links
- WIFI
- Bluetooth
- VSAT
- ISM

Optional Accessories:

- SMA(M) to SMA(M) Adapter
- 50 Ohms cable as per User's requirement (L) (Figure. 1)

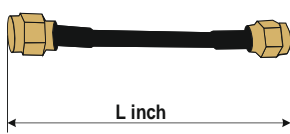


Figure 1



Kit Available:

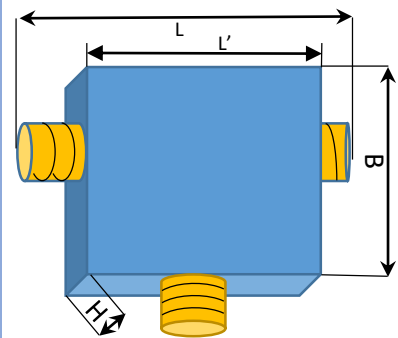
- Antenna kit
- Directional coupler kit
- Filter Kit
- Adapter Kit
- Attenuator Kit
- Communication Kit
- RF Standard Kit upto 6 GHz



Electrical Specifications:

Frequency Range:	2.4 to 6.0 GHz
Conversion Loss:*	-6 dB ± 3 dB (@ RF & IF ± 3 dB)
Input Power:	
RF:	+15dBm (Max.)
LO:	+10dBm (Max.)
Isolation:	
LO - RF:	Min 17 dB
LO - IF:	Min 11 dB
IP3:	Min 9 dBm
Operating temperature:	0 °C to 50 °C
In/Out Connector:	SMA (F)

Mechanical Specifications:

Dimension (mm):	 (L) = 61.5 (L') = 42.5 (B) = 33.4 (H) = 16.9
Shape:	Rectangular Cuboid Shape
Weight:	55 gm

FREQUENCY VS CONVERSION LOSS

